



# IGNITE

*CATCH THE TECHNOLOGY*

**DEPARTMENT OF ELECTRONICS AND COMMUNICATION ENGINEERING  
SRI VASAVI INSTITUTE OF ENGINEERING & TECHNOLOGY  
NANDAMURU. PEDANA. 521 369**

**Volume 2, Issue 3**

**March 2018**

**Page 1**

**Chief Editor:**

**Prof. M. Srinivasulu**

**Editors:**

**1. Prof.M.V.Bhavani Shankar**

**2.Prof.G.S.V.N.V.Babu**

**Faculty Co-Ordinators:**

**1. A.Chandra Suresh**

**2. K.P.R.R.Raju**

**3. G.Sita Annapurna**

**4. N.ChandraSekhara Reddy**

**5.B.Phanindra Kumar**

**Student Co-Ordinators:**

**1. Ch. Lakshmi Thanuja**

**2. G. Dinesh**

**3. G. BinduSai Surya Sri**

**4. V.Lavanya**

***Message from***

***Dr. M.Srinivasulu,  
Prof.& HoD Of ECE***

The ECE Dept newsletter is a platform for sharing educational information, activities and events related to the ECE Department. I hope that the news letter will provide useful and relevant information. It is the intent of the department to make it a Quarterly publication to keep in touch with the departmental activities and achievements. This is a platform to share information and you can participate by sharing your thoughts on the Departmental activities or by contributing information on the events that you have organized.

## Department Vision:

To become centre of excellence in Electronics and Communication Engineering to meet the challenges of industry and the society

## Department Mission:

**DM1:** Impart high quality education to enable students to face challenges Of Electronics and Communication Engineering.

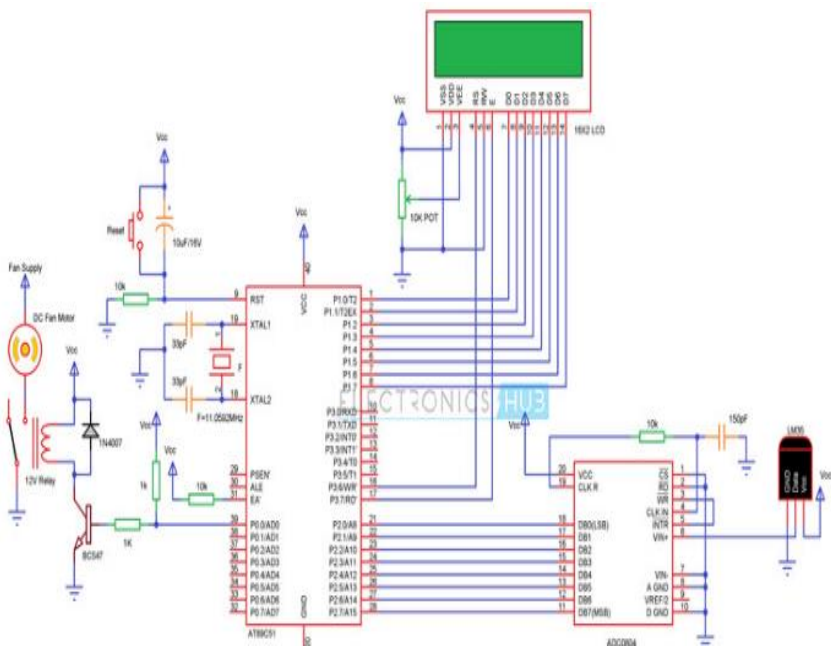
**DM2:** Provide all possible support to promote activities in the related areas of VLSI, Communications, Signal Processing, and Micro Processors & Micro Controllers.

**DM3:** Inculcate ethical, professional values and life-long learning skills to address the societal needs

## Technology:

### **Temperature Controlled DC Fan using Microcontroller**

A Temperature Controlled DC Fan is a system which automatically turns on a DC Fan when the ambient temperature increases above a certain limit. Generally, electronic devices produce more heat. So this heat should be reduced in order to protect the device. There are many ways to reduce this heat. One way is to switch on the fan spontaneously.



***Telugu ammayi competitions:***



***Rangoli & bhoghi celebrations:***

