



IGNITE

CATCH THE TECHNOLOGY

**DEPARTMENT OF ELECTRONICS AND COMMUNICATION ENGINEERING
SRI VASAVI INSTITUTE OF ENGINEERING & TECHNOLOGY
NANDAMURU. PEDANA. 521 36**

Volume 1, Issue 3

March 2017

Page 1

Chief Editor:

Prof. M. Srinivasulu

Editors:

1. Prof. M. V. Bhavani Shankar

2. Prof. G. S. V. N. V. Babu

Faculty Coordinators:

1. A. Chandra Suresh

2. K. P. R. R. Raju

3. G. Sita Annapurna

4. N. Chandra Sekhara Reddy

5. B. Phanindra Kumar

Student Coordinators:

1. D. Gayatri

2. Y. Keerthana

3. J. Priyanka

4. J. prakash

Message from

Dr. M. Srinivasulu,

Prof. & HoD Of ECE

The ECE Dept newsletter is a platform for sharing educational information, activities and events related to the ECE Department. I hope that the news letter will provide useful and relevant information. It is the intent of the department to make it a Quarterly publication to keep in touch with the departmental activities and achievements. This is a platform to share information and you can participate by sharing your thoughts on the Departmental activities or by contributing information on the events that you have organized.

Department Vision:

To become centre of excellence in Electronics and Communication Engineering to meet the challenges of industry and the society

Department Mission:

DM1: Impart high quality education to enable students to face challenges Of Electronics and Communication Engineering.

DM2: Provide all possible support to promote activities in the related areas of VLSI, Communications, Signal Processing, and Micro Processors & Micro Controllers.

DM3: Inculcate ethical, professional values and life-long learning skills to address the societal needs

Technology:

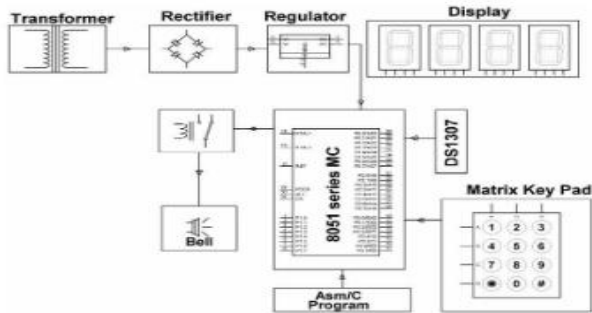
Microcontroller Based Project on Automatic Bell System:

An automatic school timer system reduces the effort needed to turn on or off an electric bell manually that gives alarm for certain intervals of time based on school timings. This automatic system is a microcontroller based project that uses a simple basic microcontroller, which makes this product affordable.

Usually conventional methods require a peon or bell operator to attend and operate the bell system for every period and interval in schools and institutions. Such systems need sufficient human efforts to do so, and require advancement in order to become automated – the ones that minimize human efforts. As the bell system is important in schools, homes and industries, automatic operation of this instrument must have to be performed with a precise time controller in an economical way.



Automatic Bell System



Automatic Bell System for School

This automatic school bell timer system is designed using basic 8051 microcontroller for managing time intervals. Read or Write memory is also necessary for storing bell timings, but for less number of timings this memory is not needed. This system also provides the display of timing information in seven-segment display for a user interface purpose.

Student Participation:

Poster presentation:

Quiz Competition:

